

ASFIR™ 4x4

Jeep
JK Wrangler



▲ Wrangler JK

A1		P/N 547005	ATL Winch bumper
A2		P/N 547006	Front bar for ATL Winch bumper
A3		P/N 547020 for Original bumper P/N 547021 for Mopar bumper	Winch mounting plate
A4		P/N 547004	ATL Stubby winch bumper
A5		P/N 547119	Lights holders LR
B1		P/N 547112 ASFIR winch bumper P/N 547113 Mopar winch bumper P/N 547111 Stock bumper	Steering rod protector
B2		P/N 547083 Dana 30 P/N 547085 Dana 44	Front differential skid plate
B3		P/N 547084 Dana 44	Rear differential skid plate
B4		P/N 547060 LWB/SWB 12-18 P/N 547055 LWB/SWB 07-11	Gear/Engine skid plate
B5		P/N 547064	Transfer skid plate
B6		P/N 547079 12-17 P/N 547075 07-11	Fuel filter skid plate
B7		P/N 547078 LWB P/N 547077 SWB	Fuel tank skid plate
B8		P/N 547080	Exhaust skid plate
C1		P/N 547058 LWB Silver P/N 547036 LWB Black P/N 547050 SWB Silver P/N 547038 SWB Black	Side protector step
C2		P/N 547054 LWB P/N 547039 SWB	Side protection covers ASFIR
C3		P/N 547151 LWB	Side pipe protectors
D1		P/N 547037 P/N 547049 US	Rear bumper
D2		P/N 547044 EU ASFIR bumper P/N 547041 EU Original bumper P/N 547040 US ASFIR & Original bumper P/N 547025 Mopar Bumper	Detachable tow bar



For JK Diesel products please refer to our website: WWW.ASFIR.COM

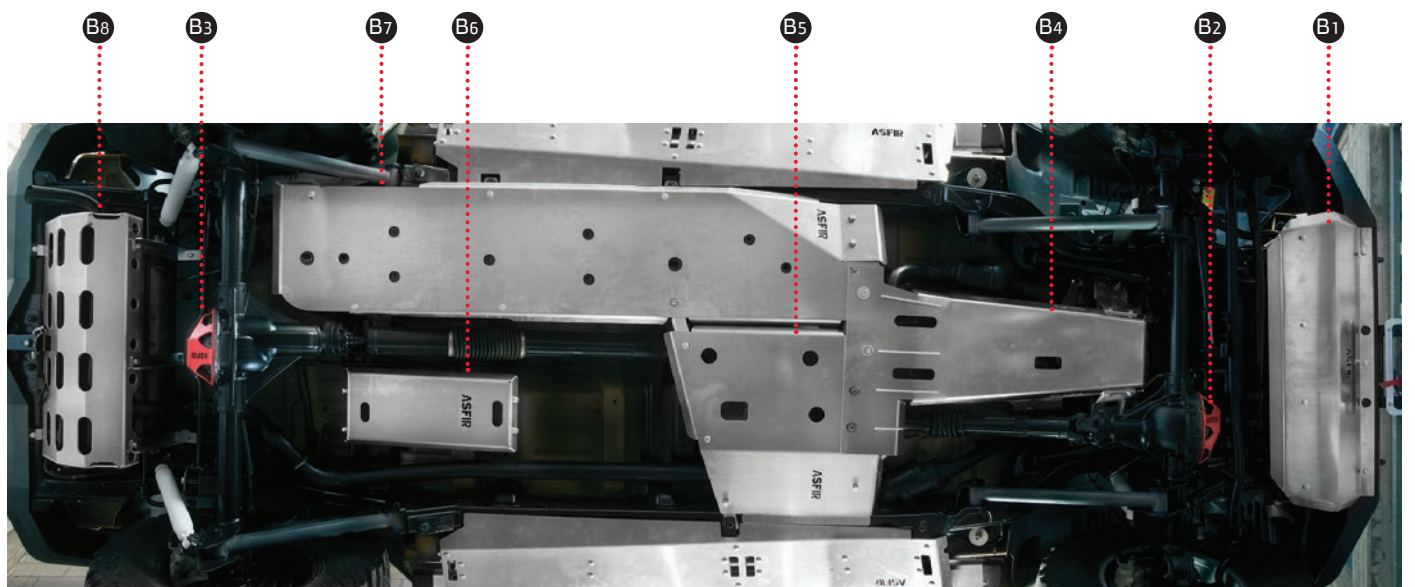
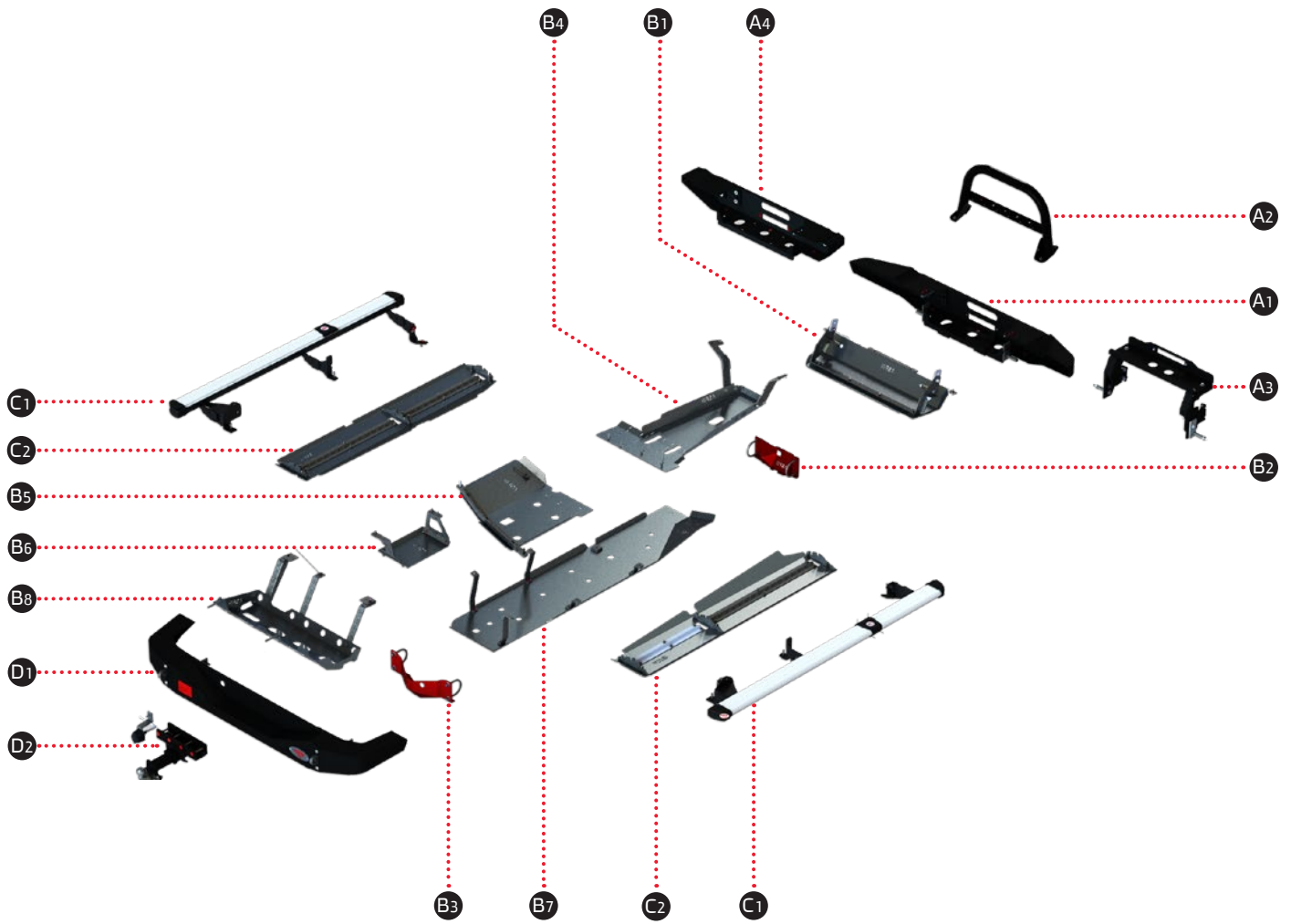
SWB = Short Wheel Base
LWB = Long Wheel Base



Front bar for ATL Winch bumper



Rear tow bar



▲ Professional Quality Products

Asfir's variety of products is the perfect solution for accessorizing the off-road vehicle.

Quality Skid Plates

Quality skid plates for off road vehicles have one of the highest design, performance and finish standards in the world. Asfir offers various skid plates protecting the underbody parts of the vehicle such as front, gear, transfer and fuel tank. The skid plates are made of quality aluminum and are screwed to original holes in the vehicle. Service openings in the skid plates enable servicing the vehicle without dismantling the plates.

Side steps/protectors

Protect the lower side of the vehicle and aid recovery with a jack. Designed by Asfir's Research & Development team and manufactured using the most up-to-date technology. The side protectors are made of quality metal and can be combined with aluminum side steps.

ATL Winch Bumper

The innovative ATL winch bumper is designed and developed to replace the original bumper. The bumper covers the winch but is not attached to it. It has many openings to ventilate the vehicle and enables easy access to the winch for maintenance. ATL bumpers are characterized in low weight and in keeping close proximity to the vehicle's original contour lines.

Rear bumpers and tow bars

A quality tow bar mounted to the vehicle's chassis under the original bumper.

ASFIR was founded in 1986.

The company manufactures a vast range of vehicle accessories and specializes in vehicle modeling.

The product range includes front bumpers, side steps, rear tow bars, rear bumpers and aluminum skid plates, which protect the under parts of the vehicle such as engine, fuel tank, gearbox & transfer case.

The company's plant, based in the north of Israel, is equipped with the latest machinery and highly advanced

technology, including specially constructed dedicated machines, which enable the company's development team to design and produce a considerable variety of products.

We equip vehicles for the military, Police troops, Swat units, Border Patrol, Special Forces.

ASFIR operates under the close supervision of the Israeli Standard Institute, the Ministry of Transportation and TUV Germany. The company is ISO 9001:2008 qualified.



Mailing address: ASFIR, P.O.BOX 28 Migdal Ha'emek 2310001, Israel.
Telephone: +972-4-6511400 Fax: +972-4-6527742 Email: info@asfir.com

WWW.ASFIR.COM



FOR MORE PRODUCTS PLEASE VISIT OUR WEBSITE OR CONTACT US