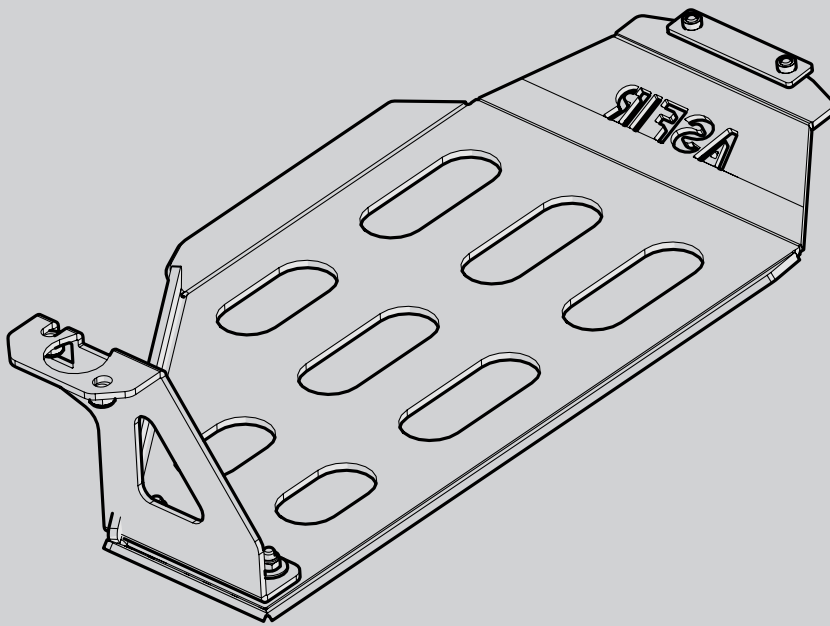
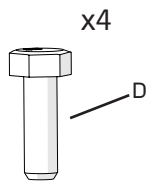
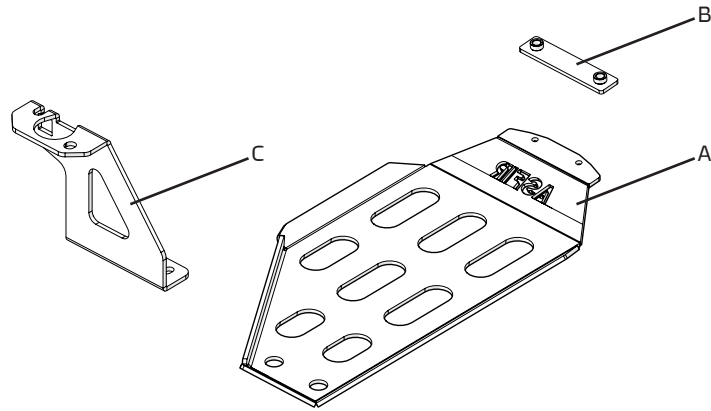


Gear skid plate

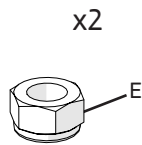
Mounting instructions

for Subaru Forester X 2019 and XV 2018

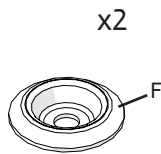




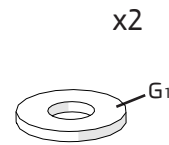
Hex bolt
M8x25



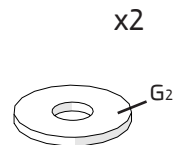
Hex nut nylock
M8



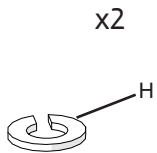
Pocket washer 8



Washer 8x20

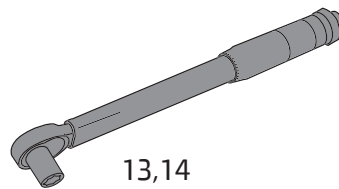


Washer 8x24



Spring washer 8

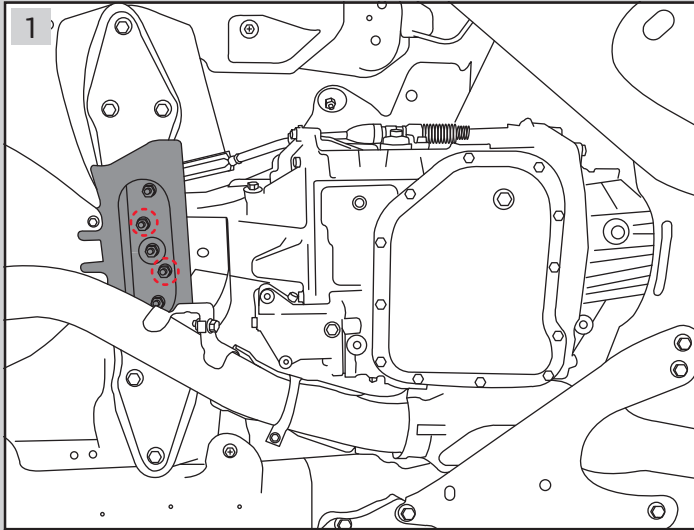
| Maximum Tightening Torques | |
|----------------------------|-------|
| M8(8.8) | 25Nm |
| M10x1.25 | 70 Nm |



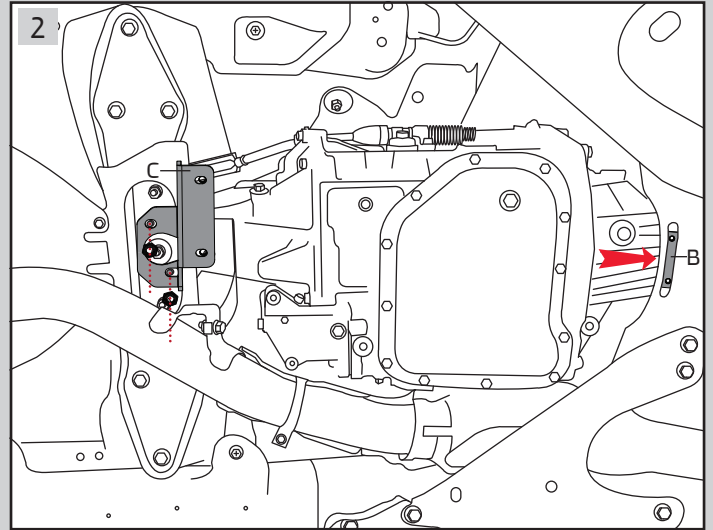
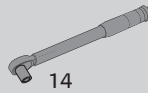
13,14



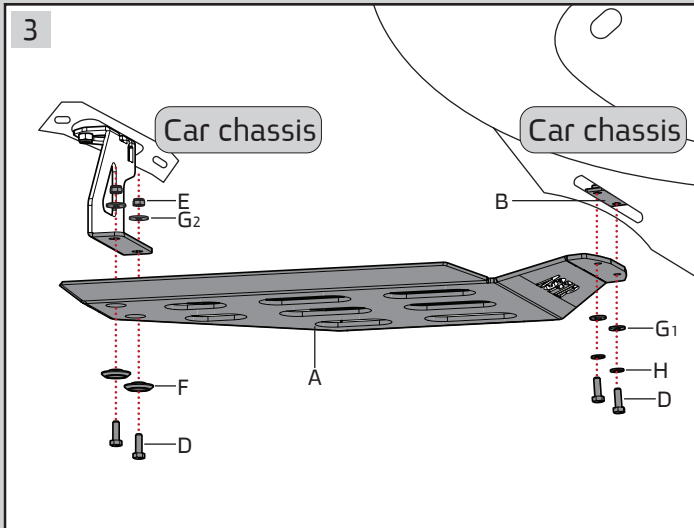
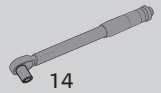
13



Release the marked nuts and save them for the next step



Use original nuts to connect bracket C into the vehicle chassis.
Insert nut B into the chassis as shown above



Connect skid plate A to the brackets as shown above

