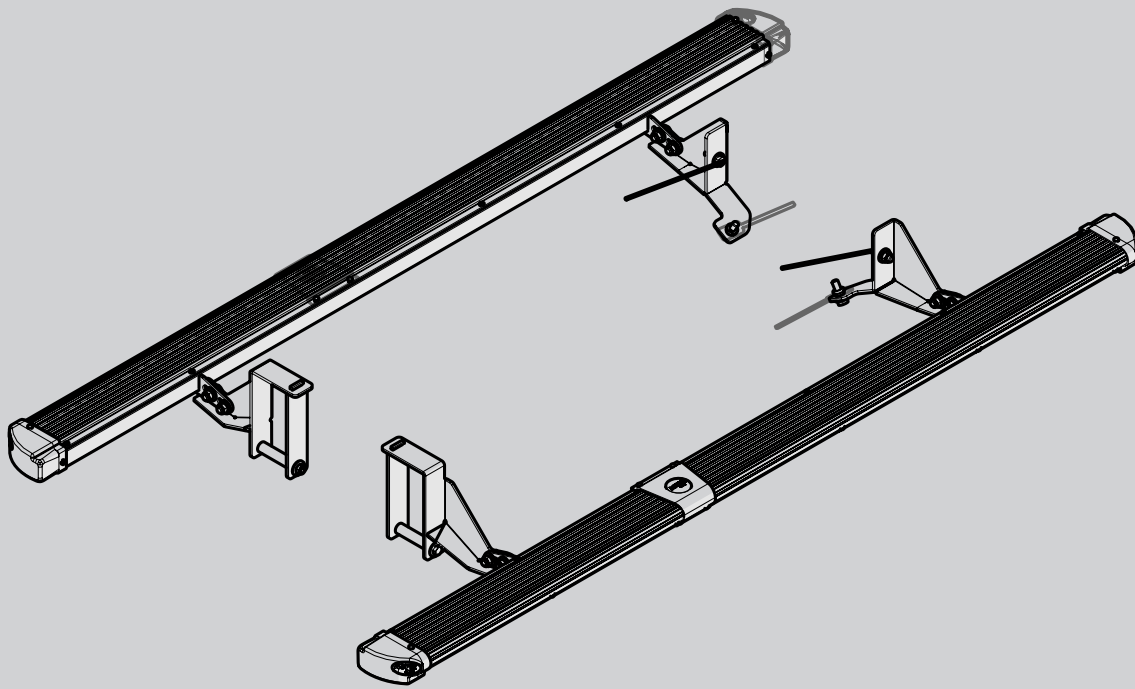
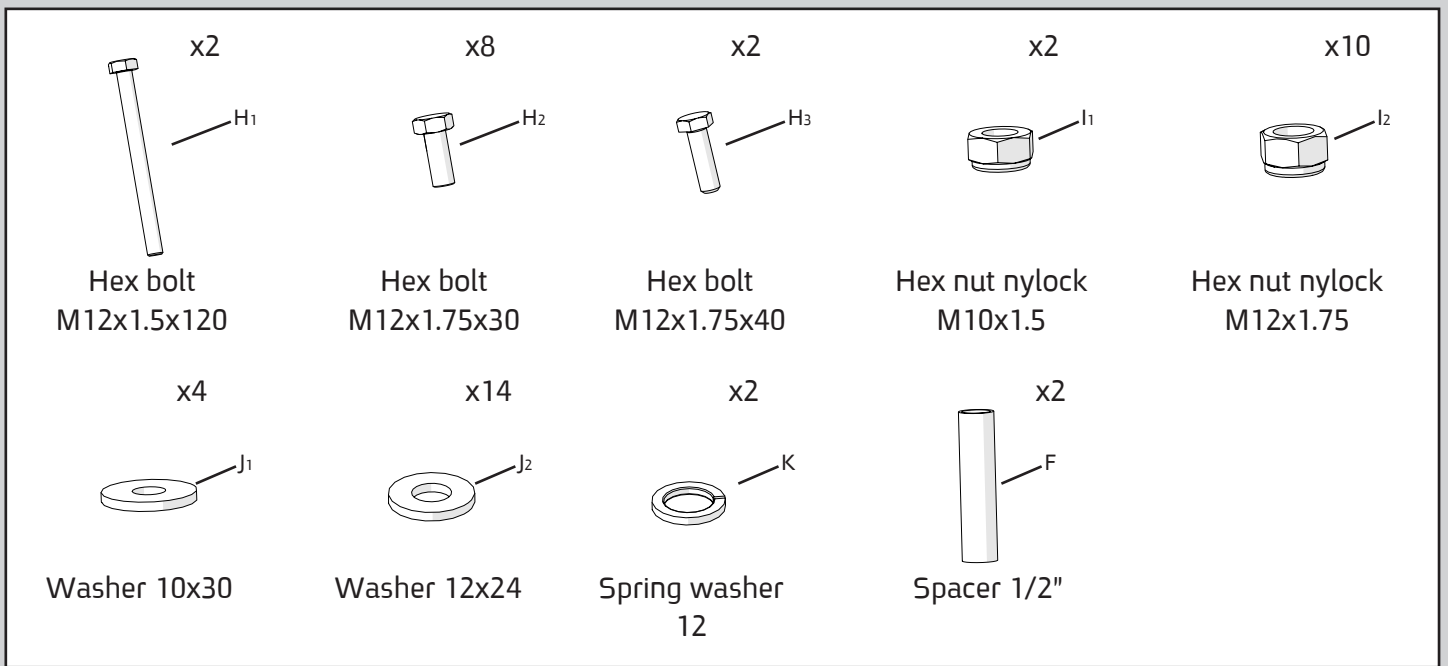
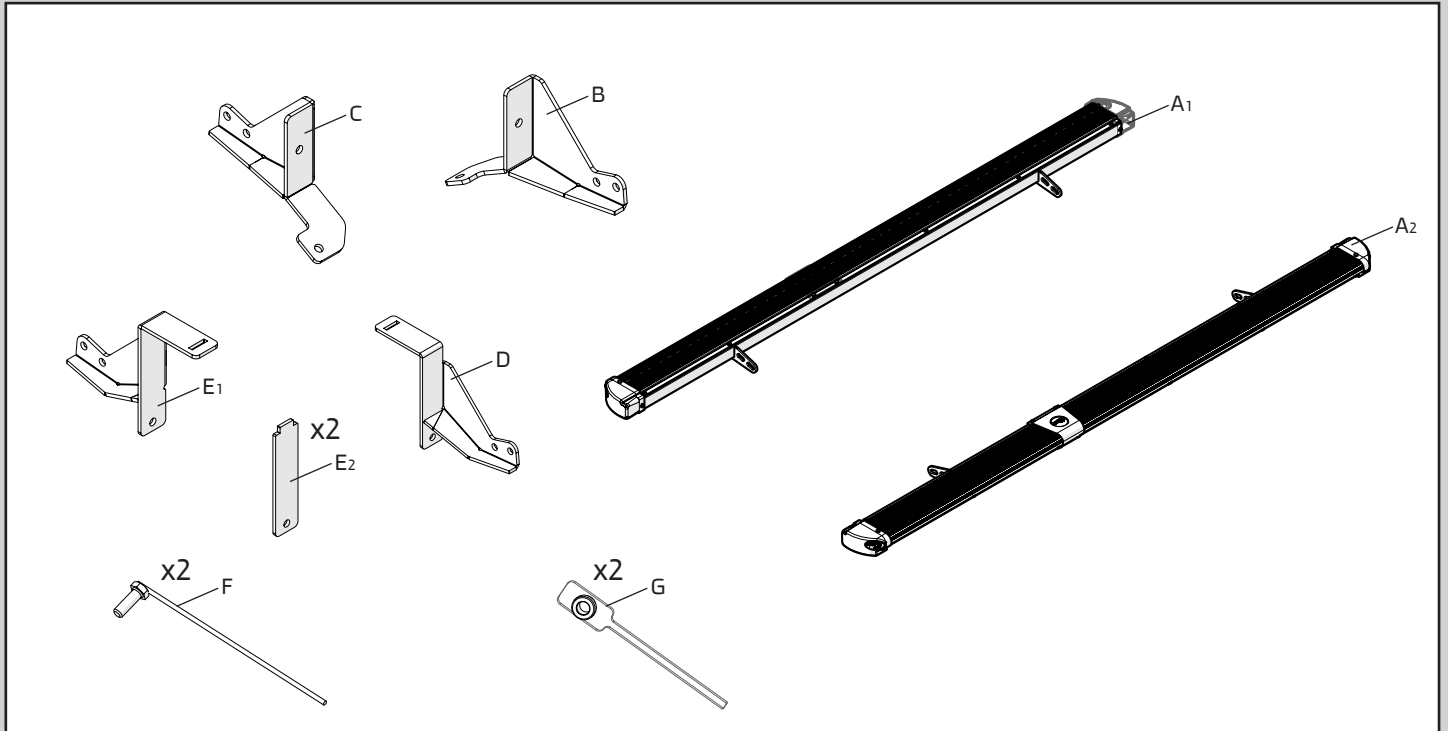


# Side Steps

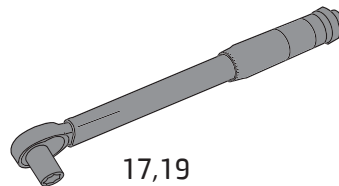
## Mounting instructions for Isuzu D-Max 2012-18

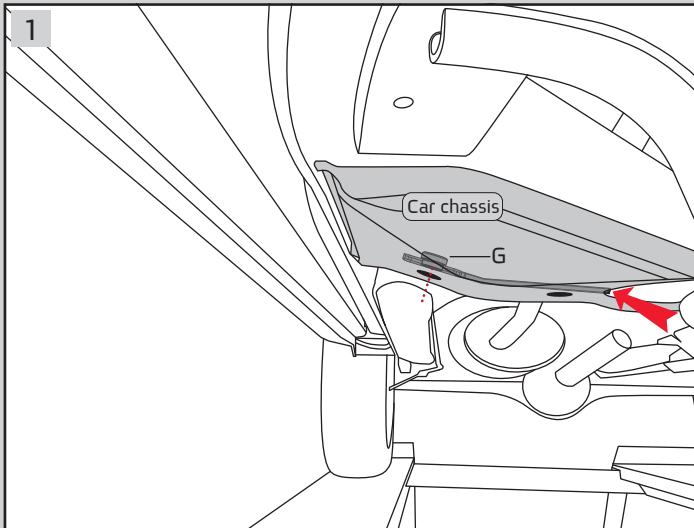




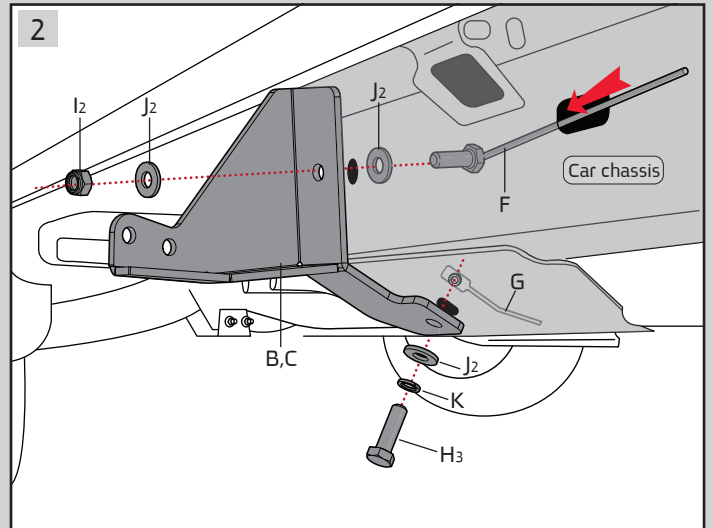
**Maximum Tightening Torques**

M10 (8.8)	50 Nm
M12 (8.8)	85 Nm

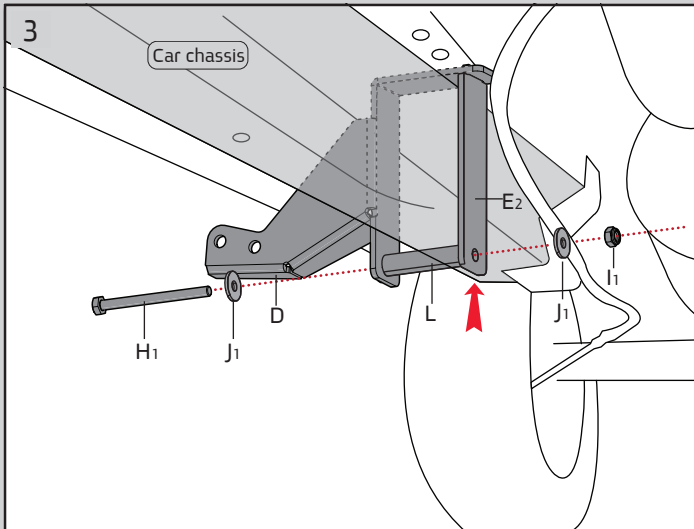
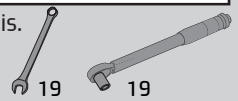




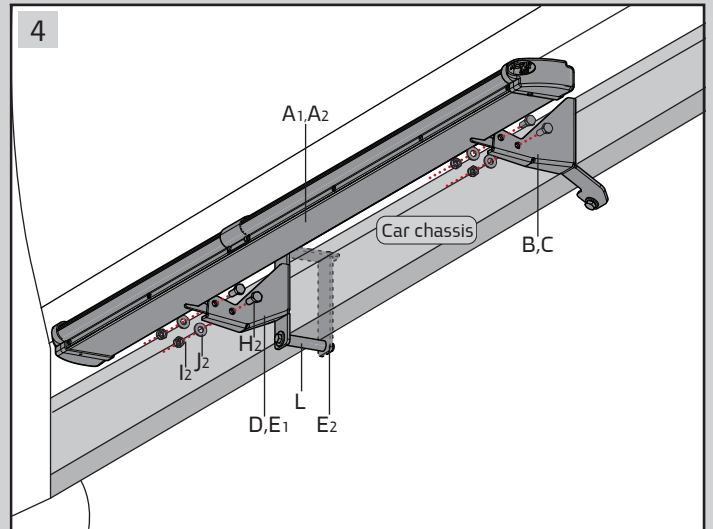
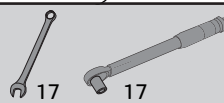
1  
Front brackets (B,C)



2  
Insert parts F and J<sub>2</sub> inside the vehicle chassis. After connecting the front brackets (B,C) check the distance for placing the rear brackets (D,E) according to the side steps.



3  
Rear brackets (D,E<sub>1</sub>,E<sub>2</sub>)



4  
Make sure that the steps are straight and parallel to the bottom line of the vehicle doors.

Make sure the steps are horizontal in all dimensions

