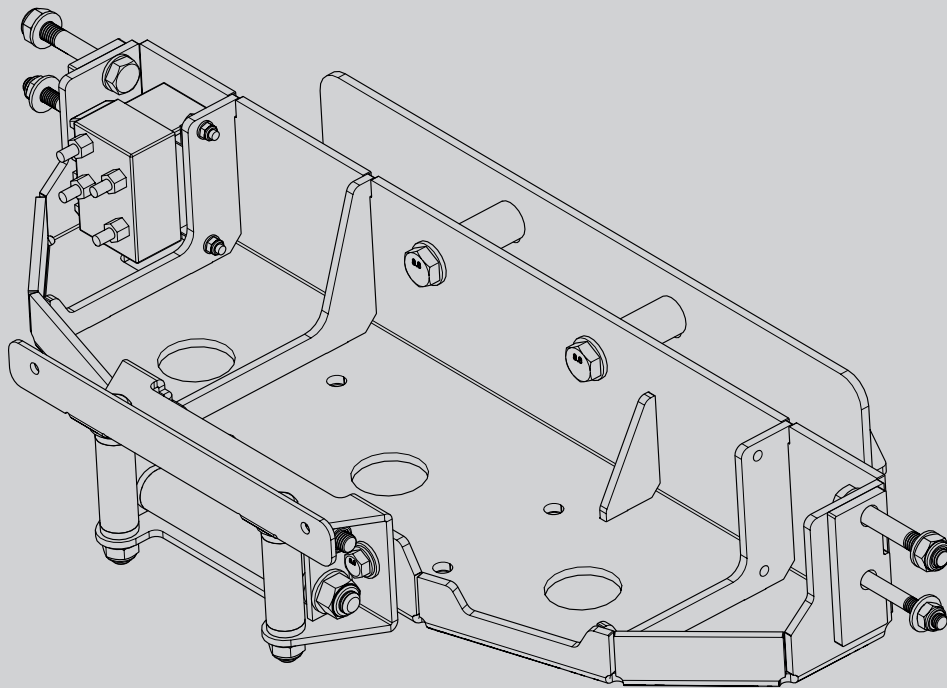
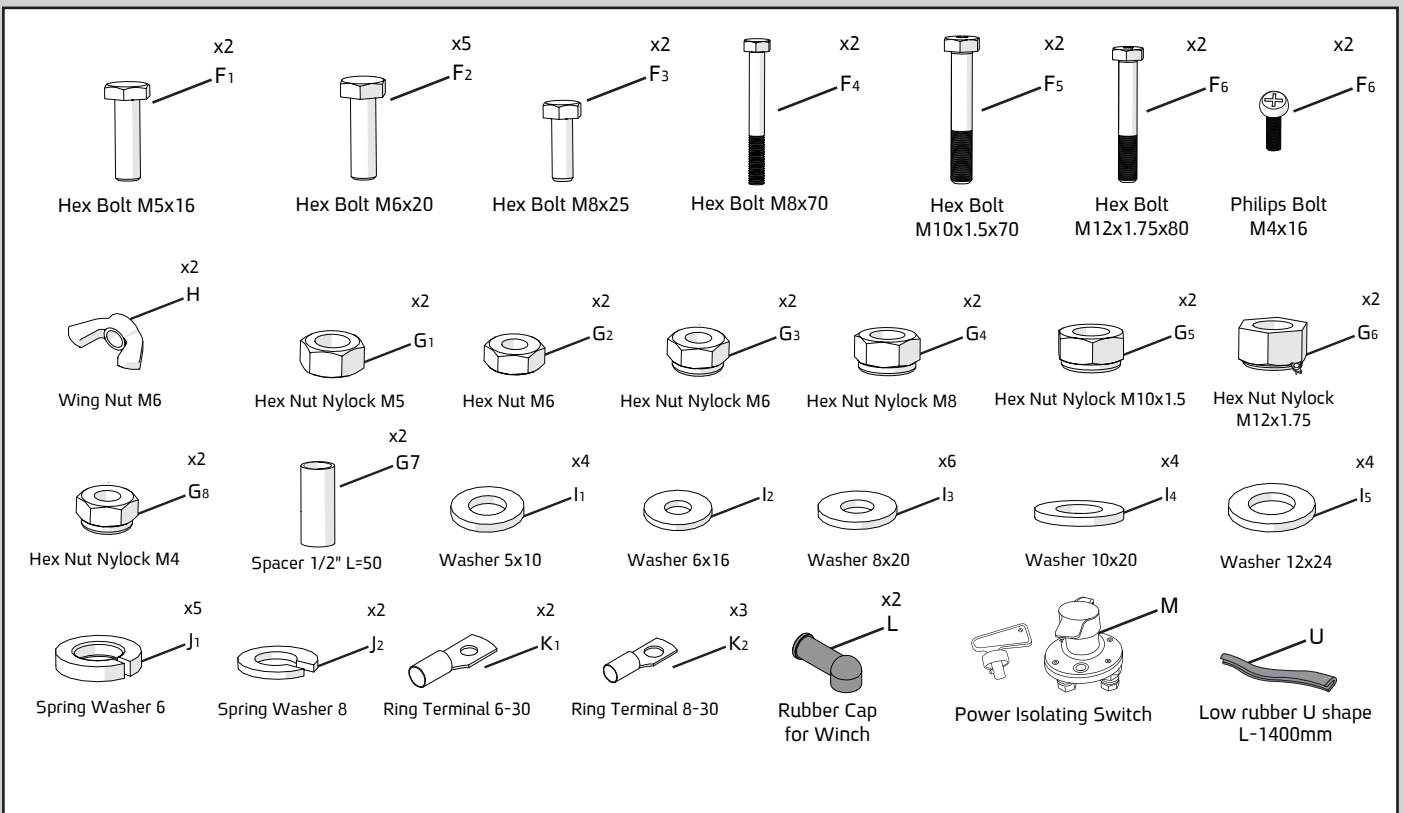
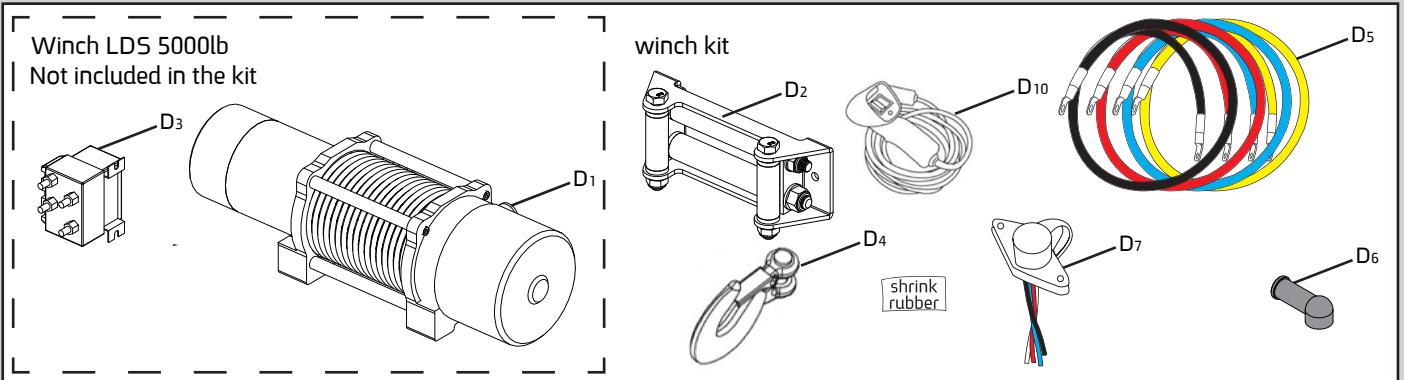
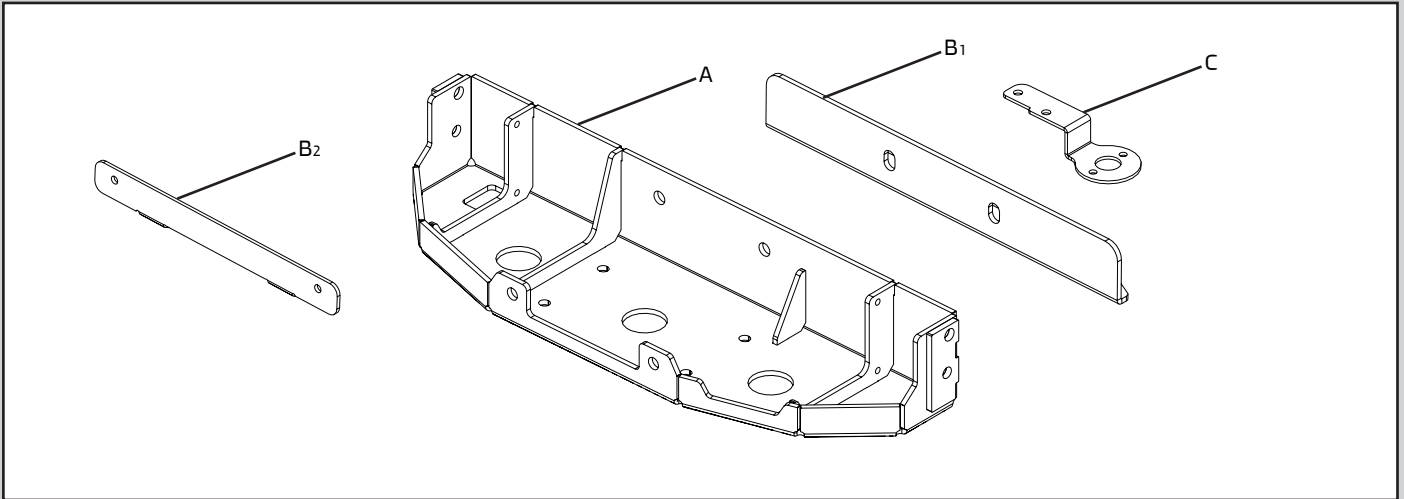


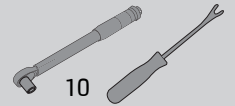
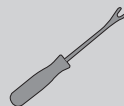
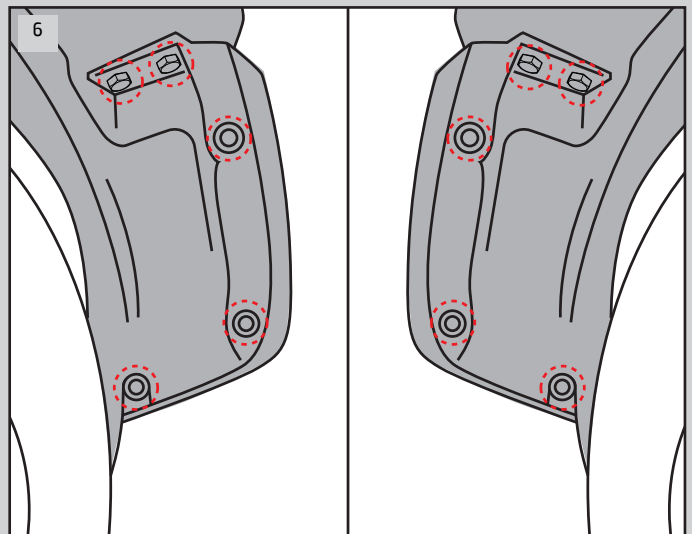
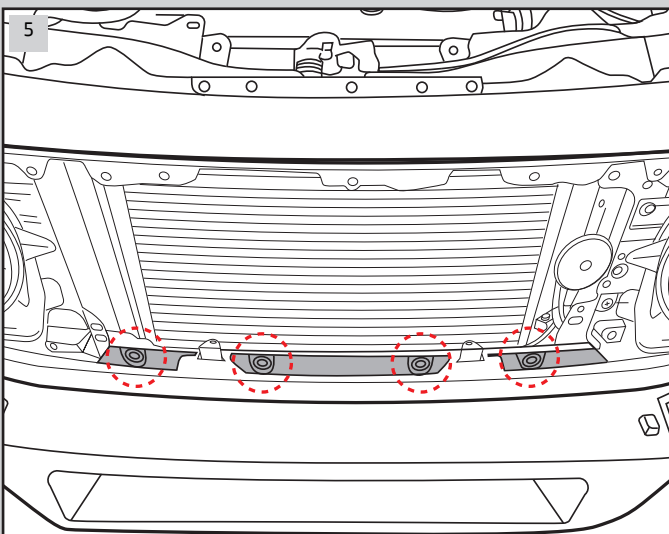
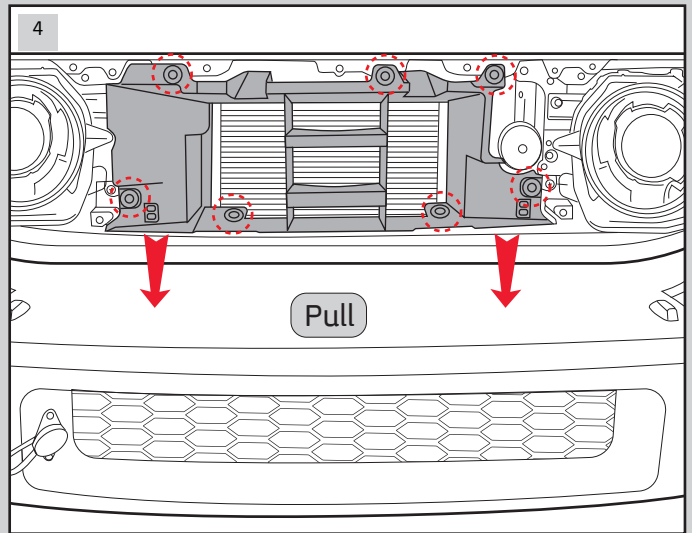
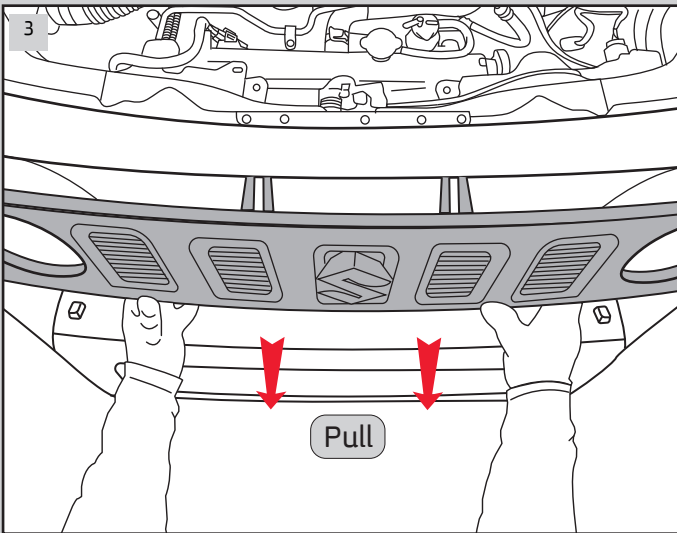
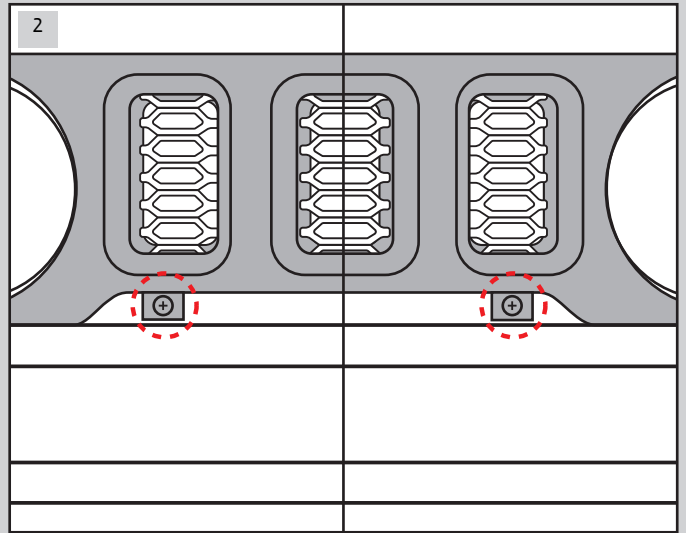
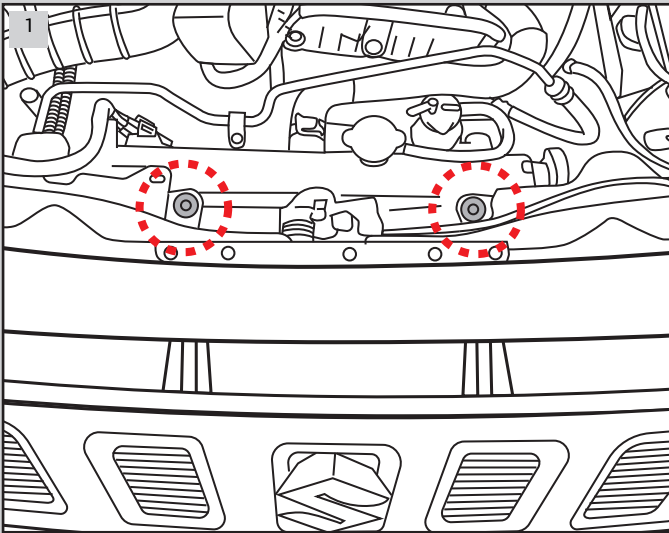
Hidden Winch Plate Mounting instructions for Suzuki Jimny

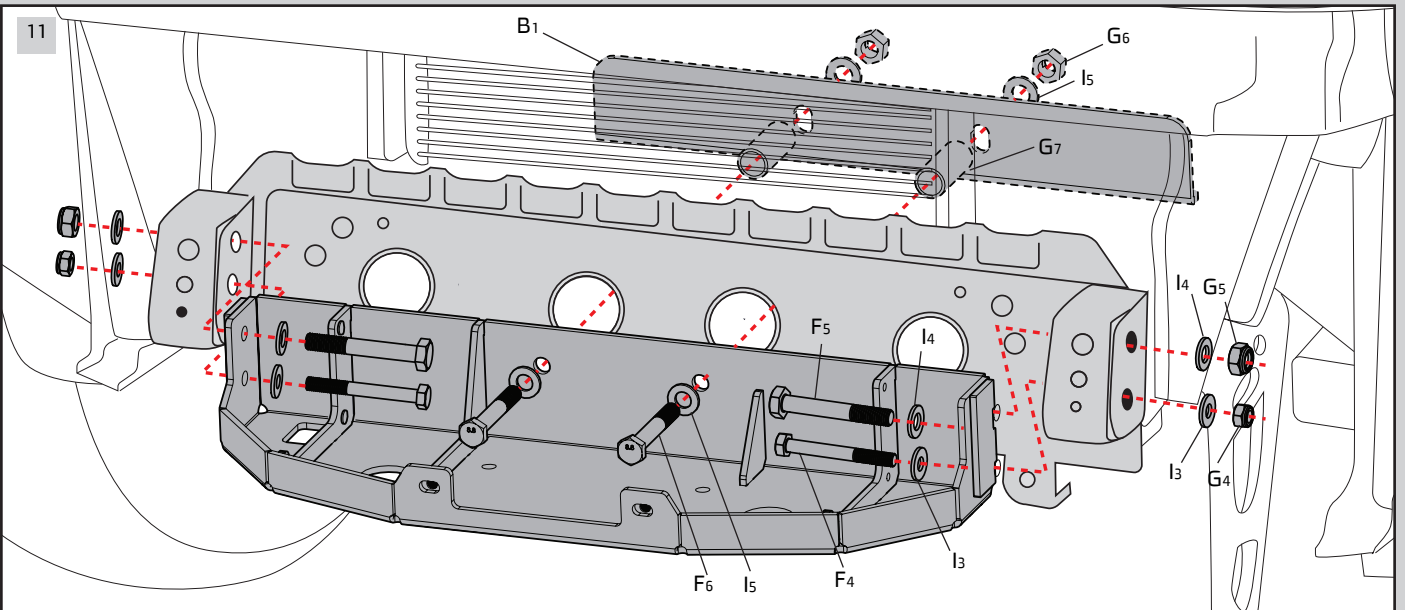
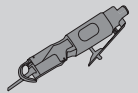
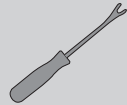
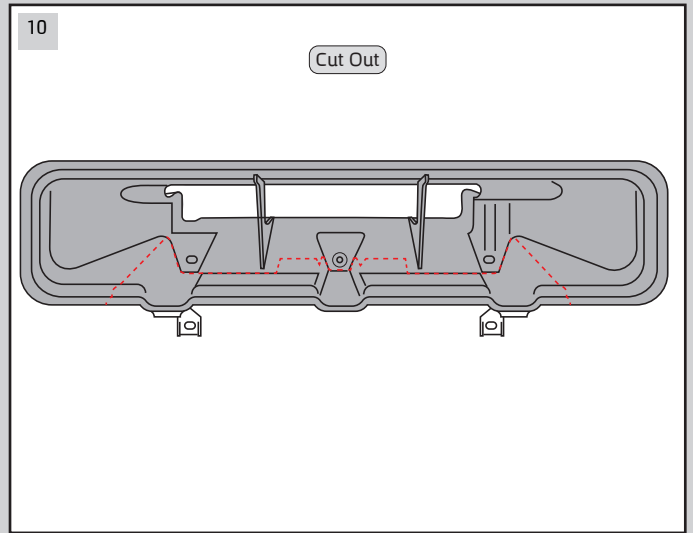
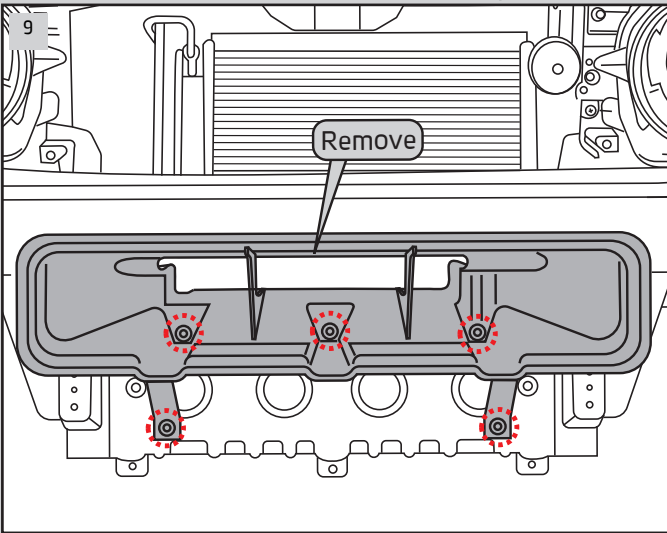
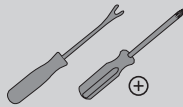
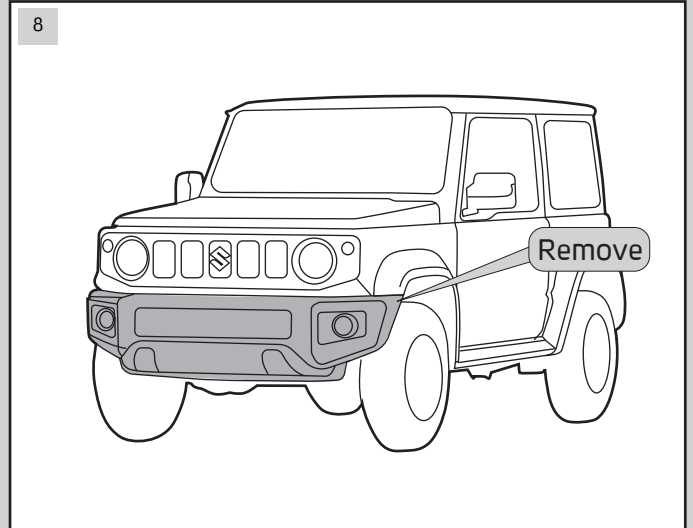
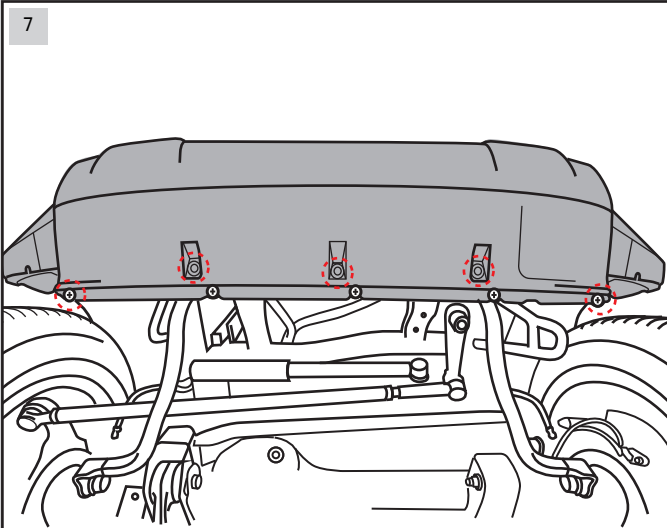




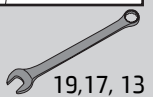
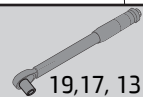
Maximum Tightening Torques	
M6 (8.8)	10 Nm
M8 (8.8)	25 Nm
M10 (8.8)	50 Nm
M12 (8.8)	85 Nm





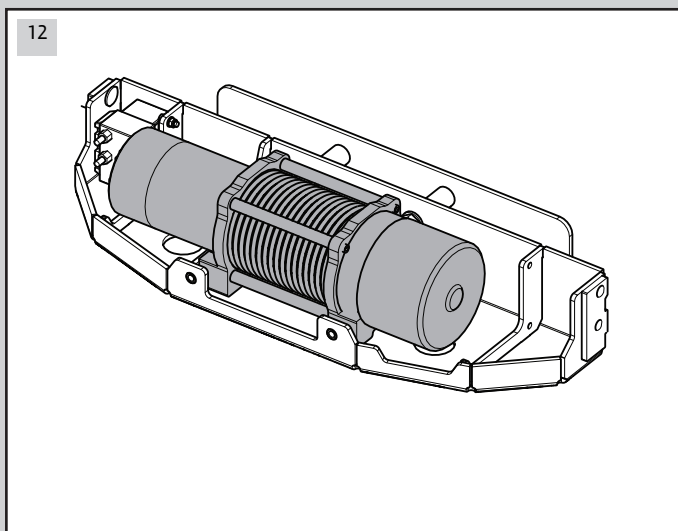


Connect bracket A as shown above to car chassis on the front side of the vehicle

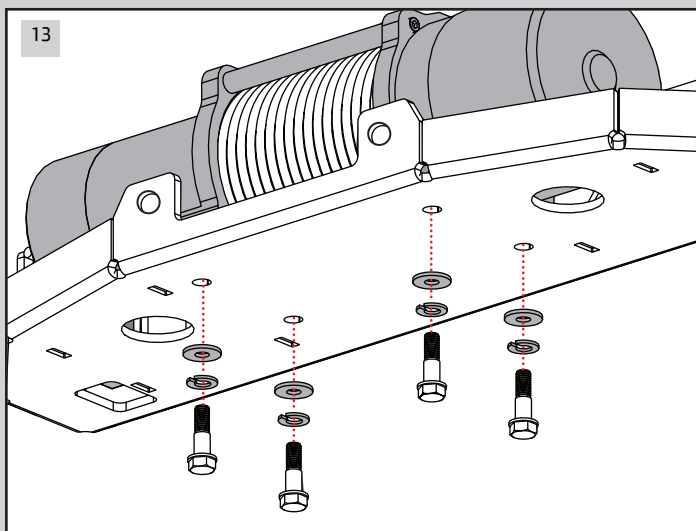


19,17, 13

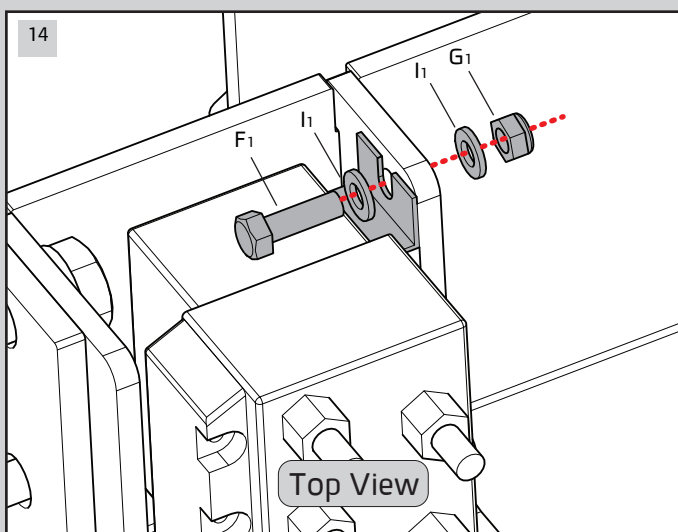
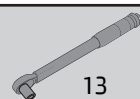
19,17, 13



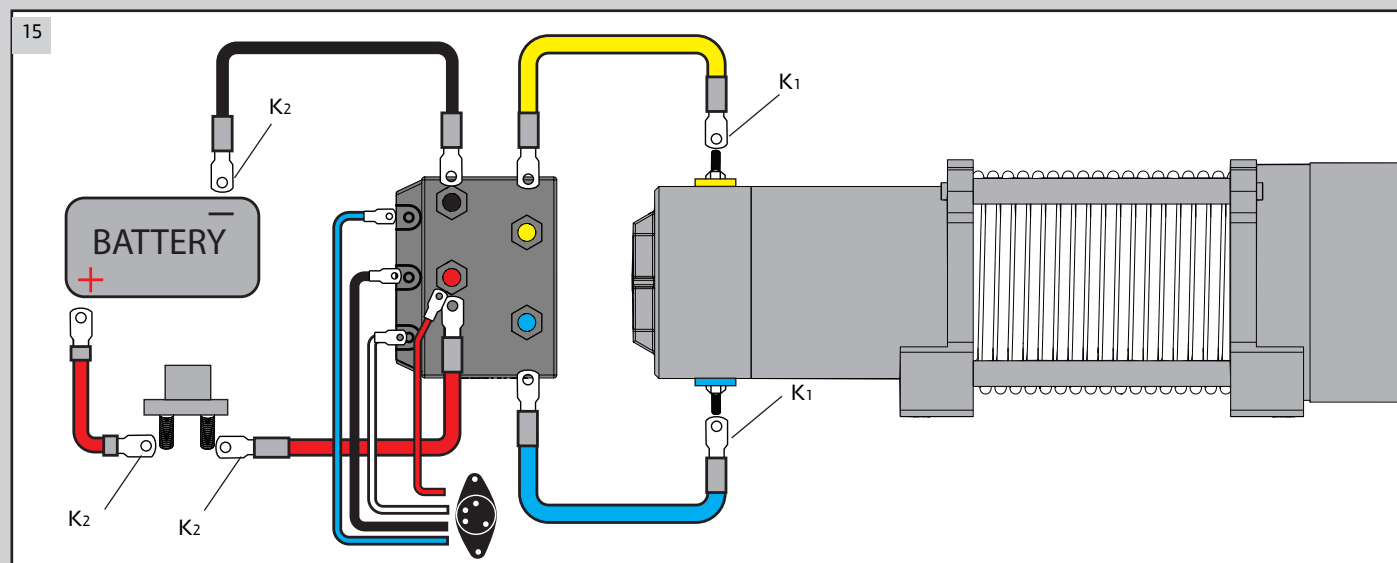
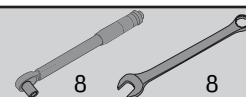
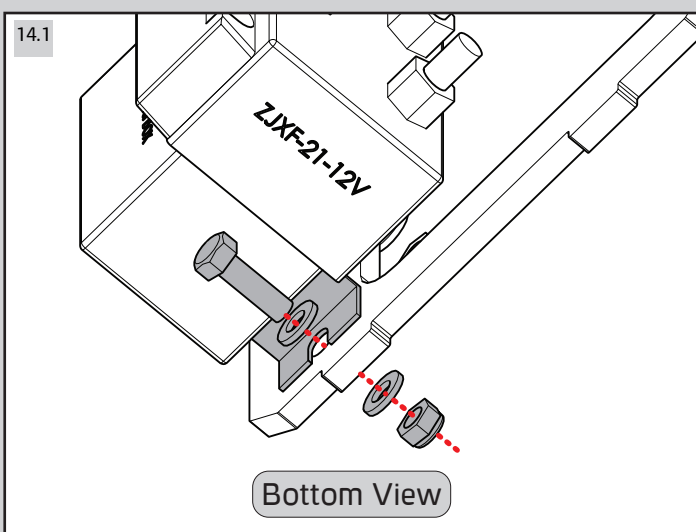
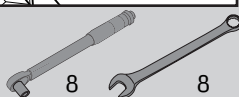
Place winch D₁ on plate A



Original bolts from winch kit

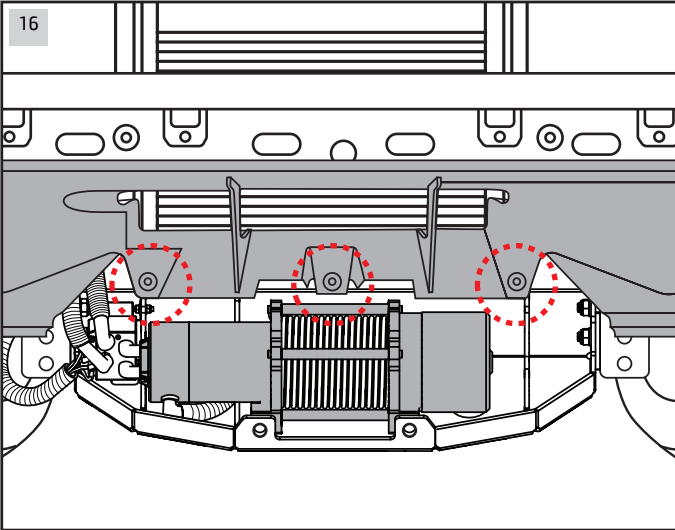


Attach the solenoid to winch plate

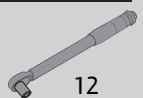
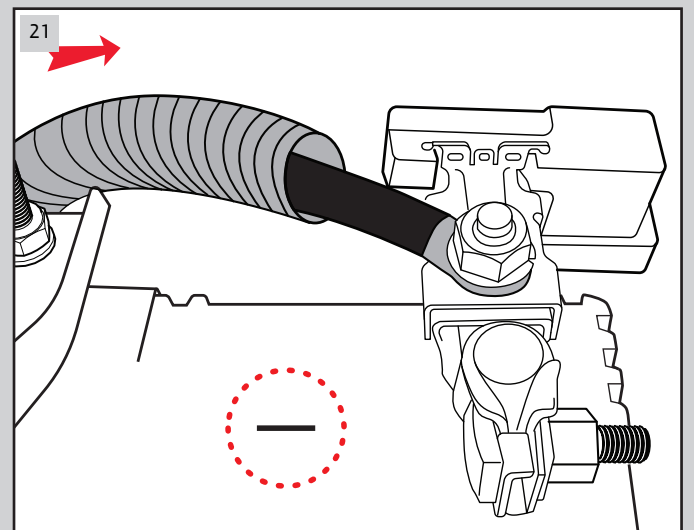
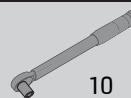
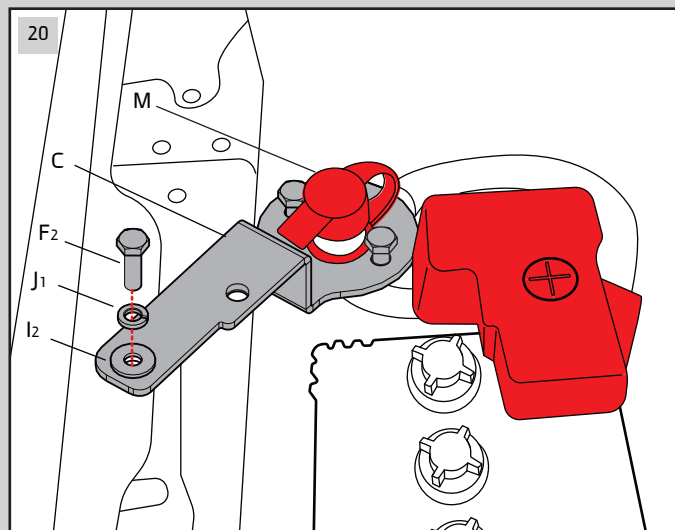
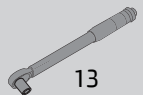
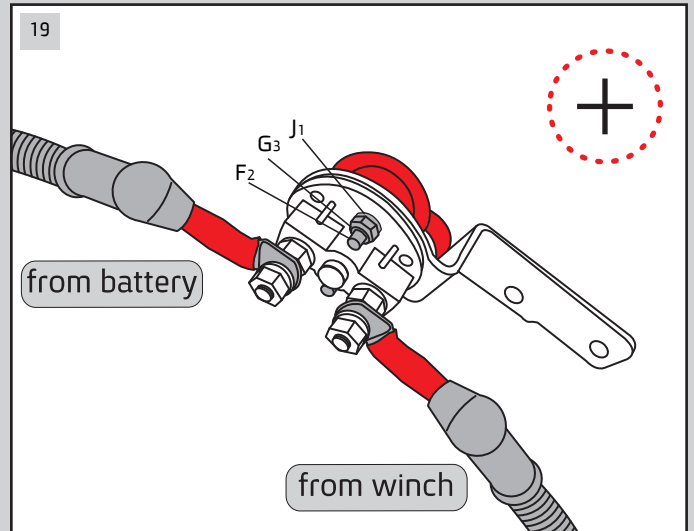
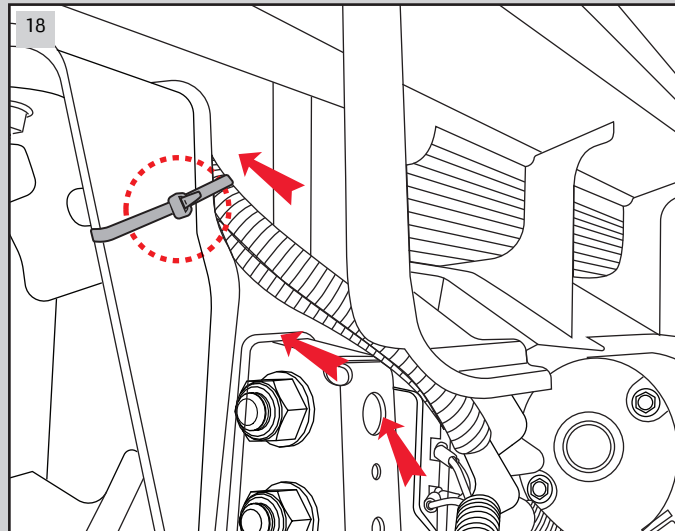
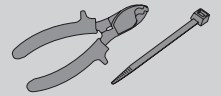
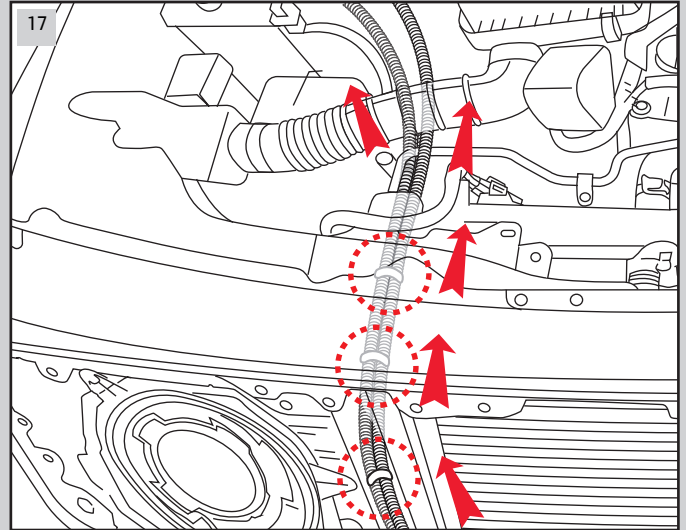


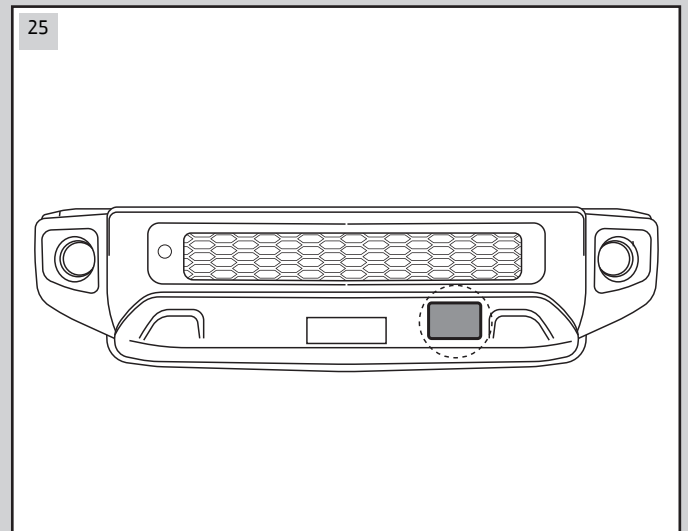
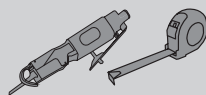
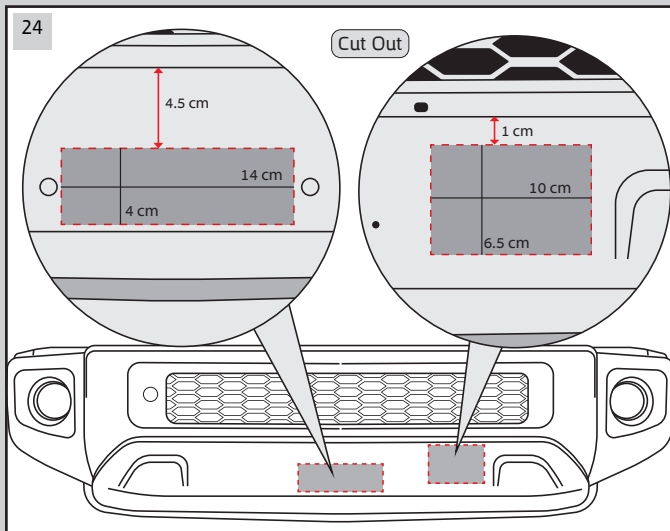
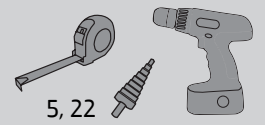
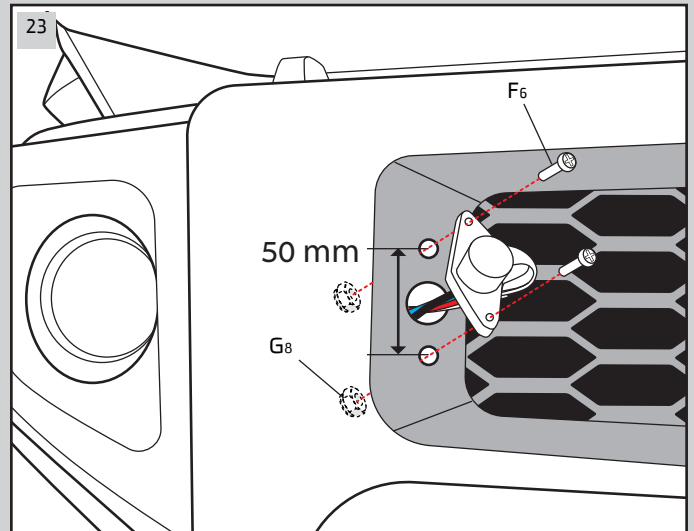
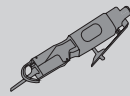
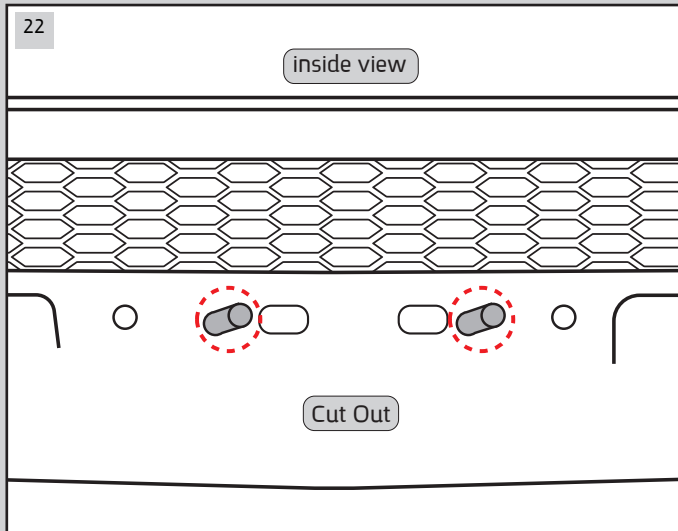
Connect the cables as shown above
 Cut the cables to appropriate length
 Connect the terminals using crimping tool and wrap with shrink rubber
 Attach the rubber cup to the cables (L)



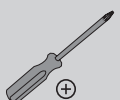
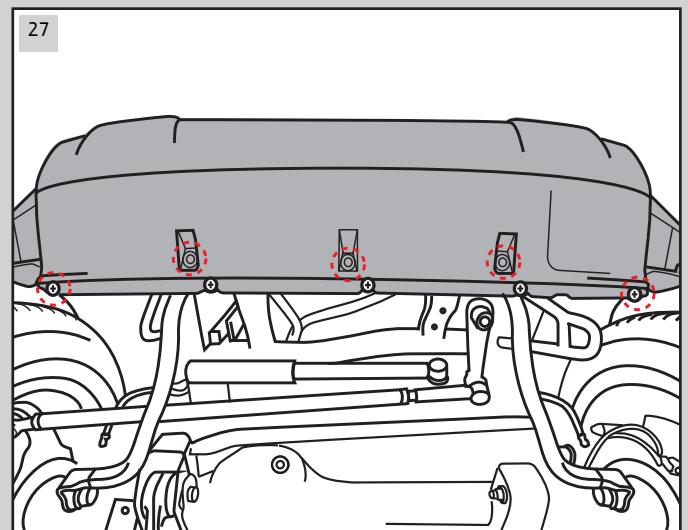
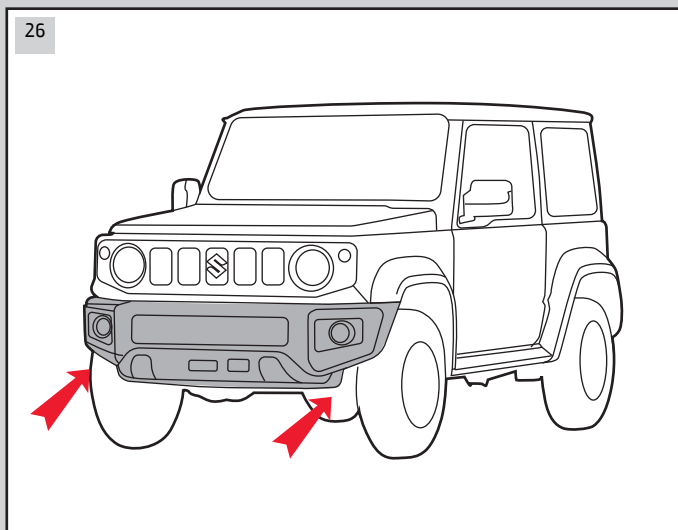


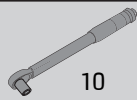
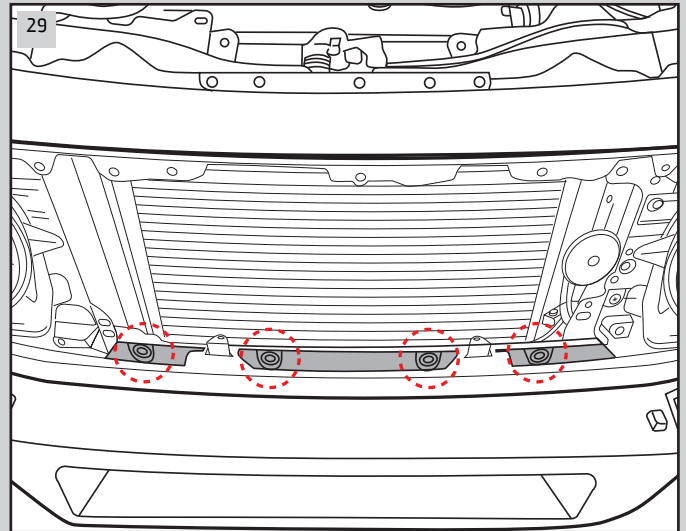
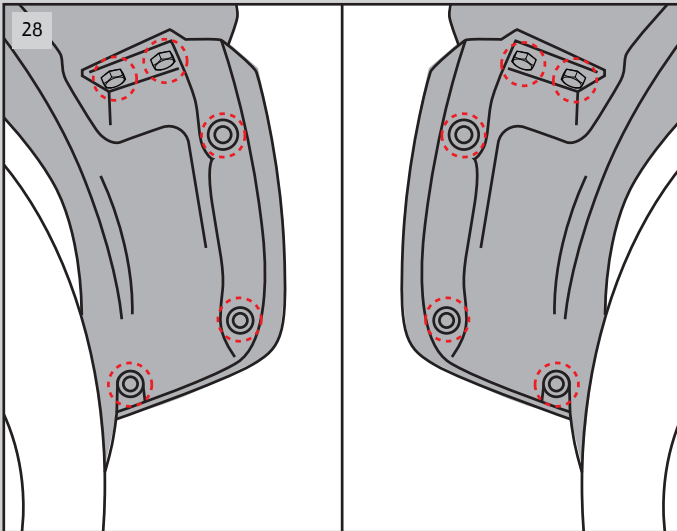
Connect the cut plastic



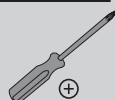
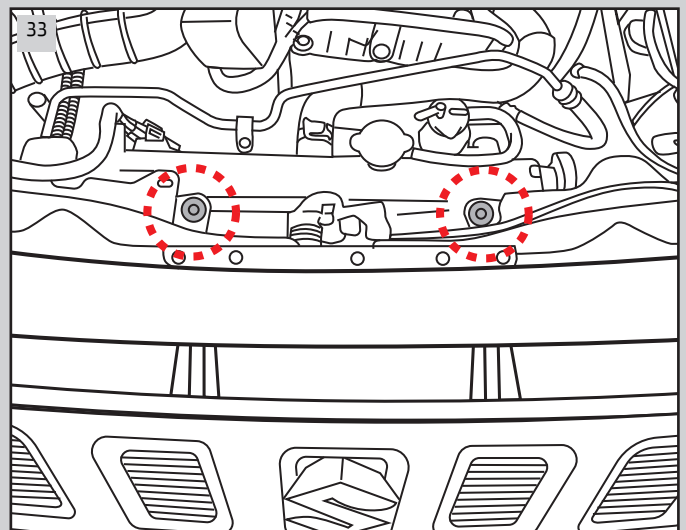
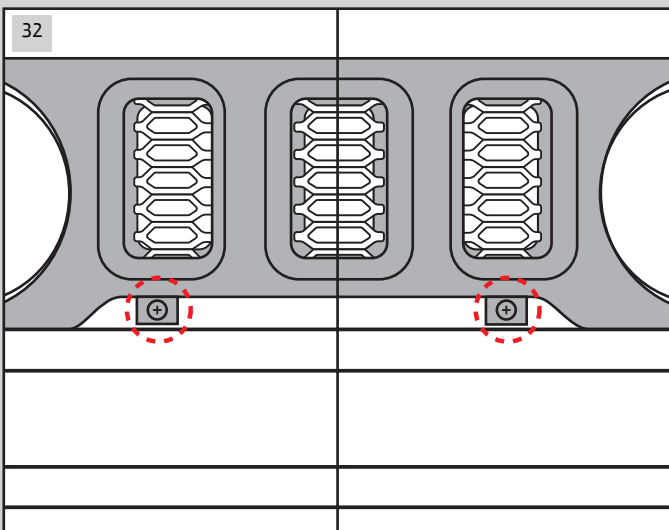
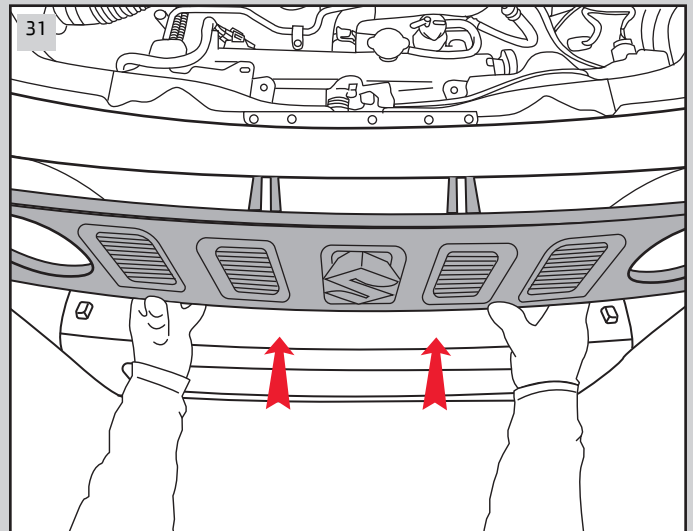
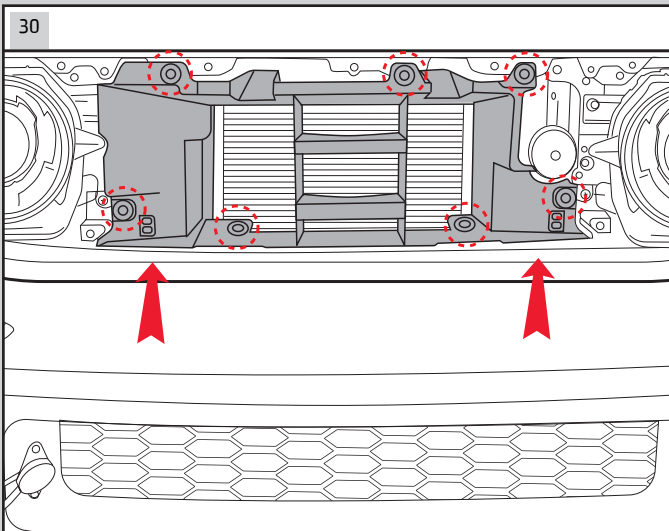


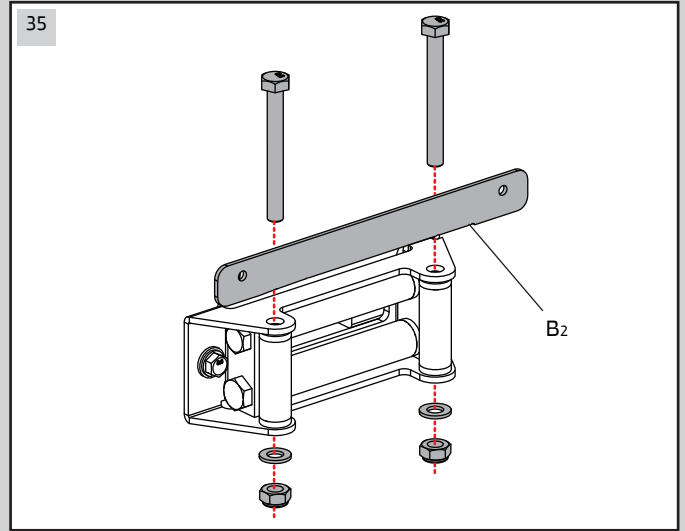
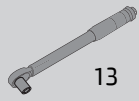
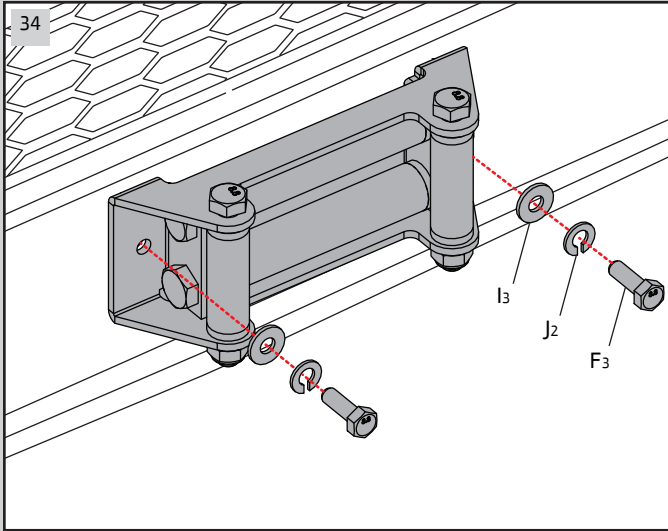
Cover the cutting line with rubber profile (U)





10





Using original winch bolts to connect the bracket (B2)

