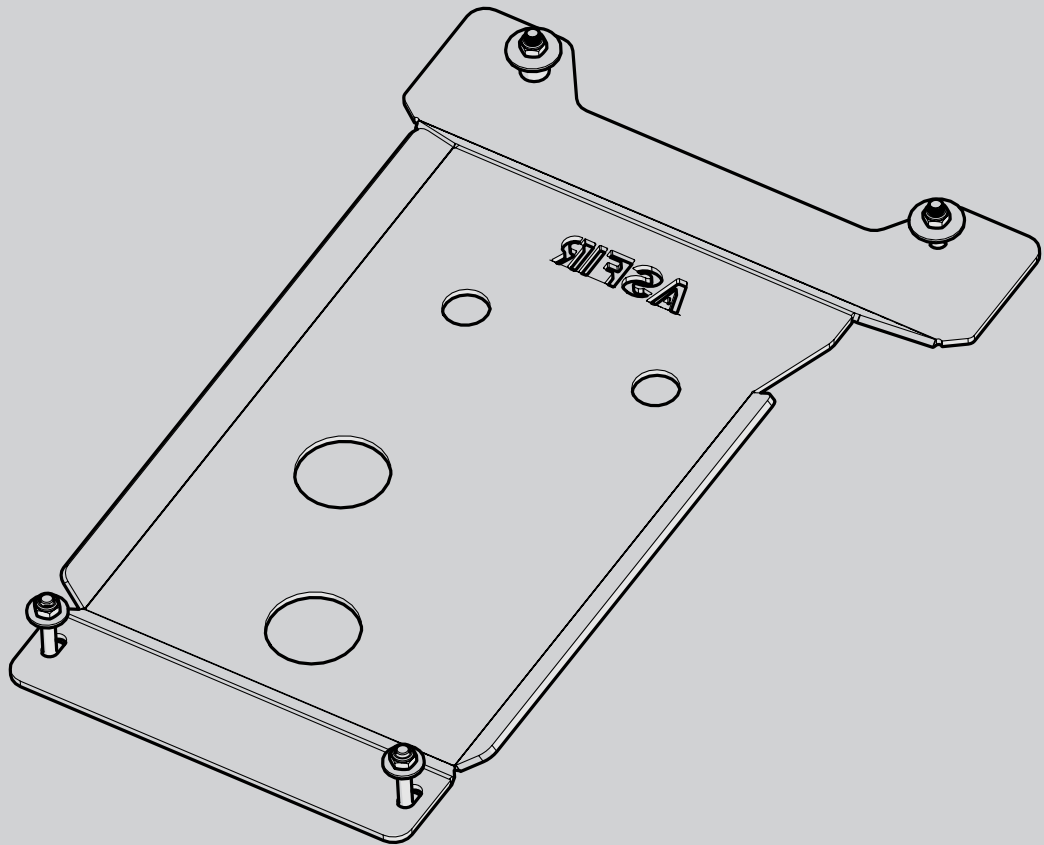


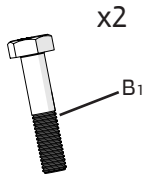
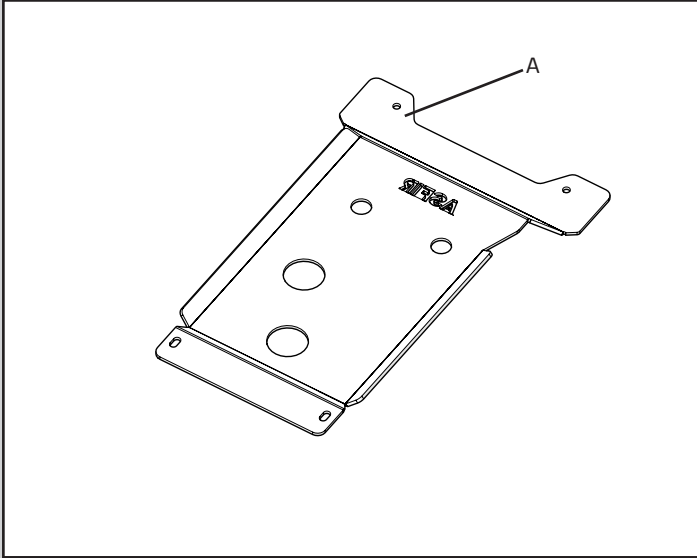
# Gear skid plate

## Mounting instructions

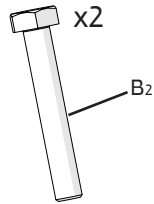
### for Isuzu D-Max 2x4

### 2017+

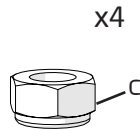




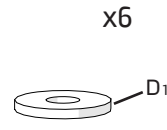
Hex bolt  
M10x1.5x50



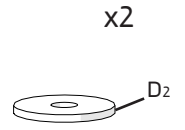
Hex bolt  
M10x1.5x65



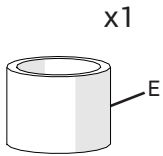
Hex nut nylock  
M10x1.5



washer 10x30



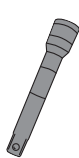
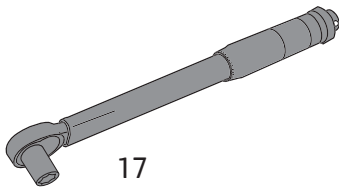
washer 10x40

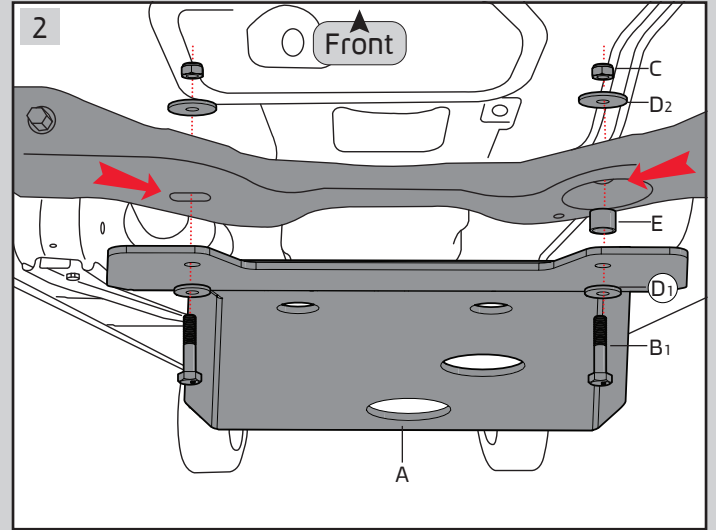
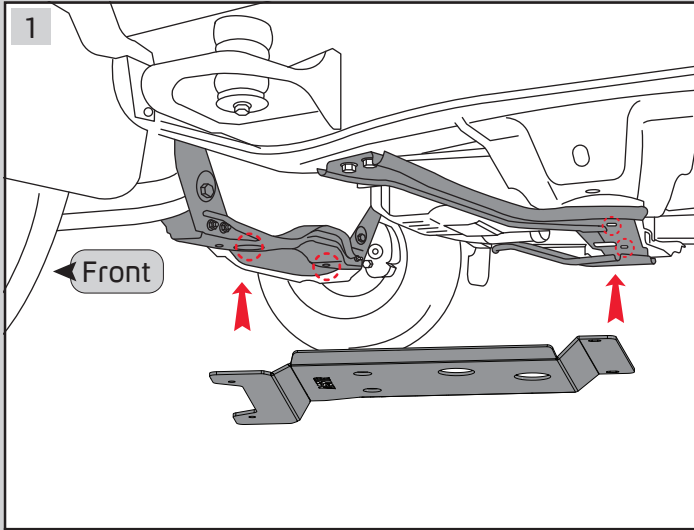


Spacer 1/2"

Maximum Tightening Torques

M10 (8.8)	50 Nm
-----------	-------





Connecting points if assembling  
front skid plate (530156) together with  
gear skid plate (530162)

