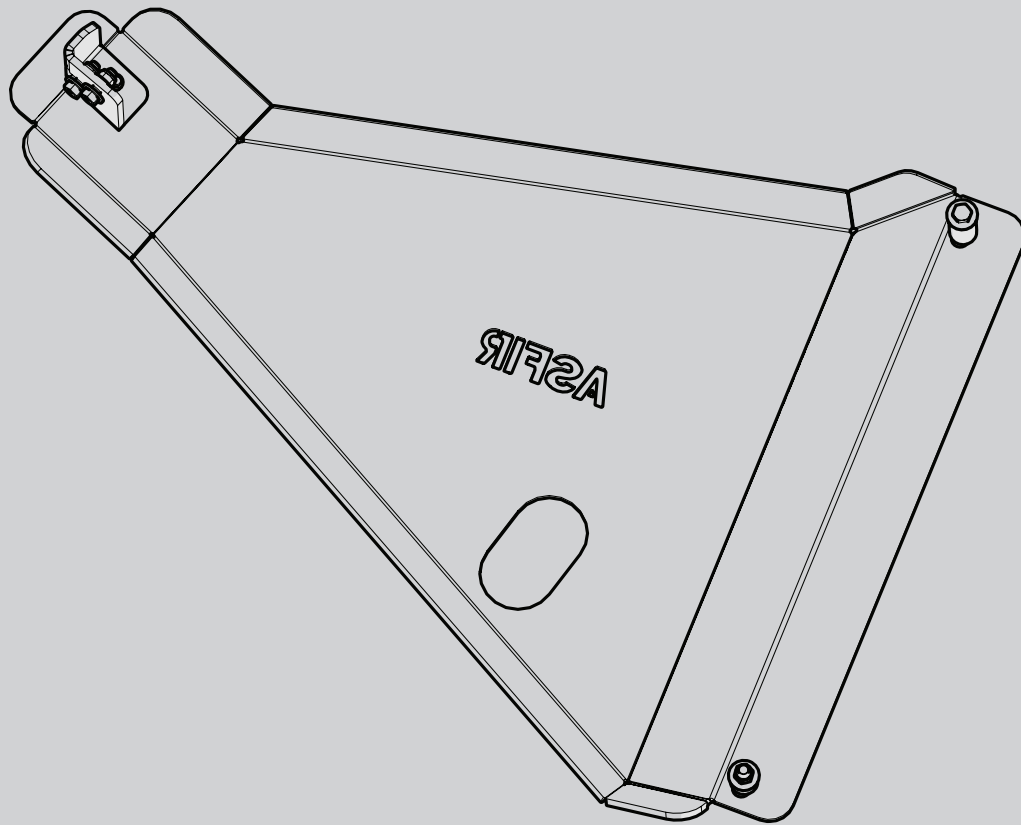
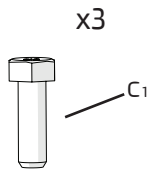
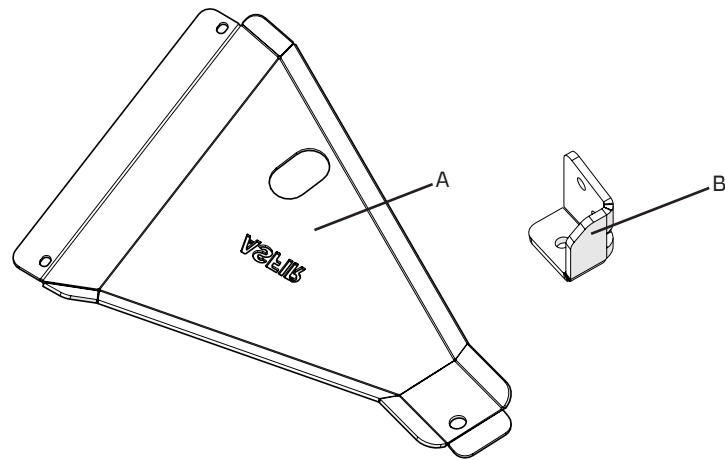
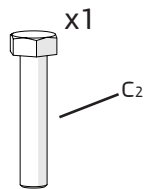


Transfer skid plate Mounting instructions for Suzuki Jimny

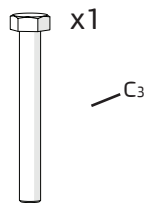




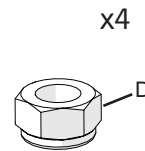
Hex bolt M8x25



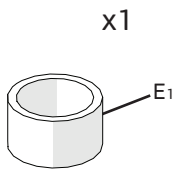
Hex bolt M8x40



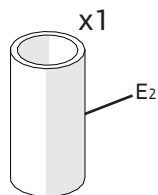
Hex bolt M8x65



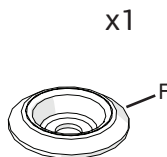
Hex nut nylock M8



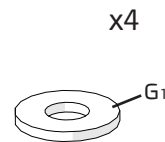
Spacer 21.3x2
st.37 L=12



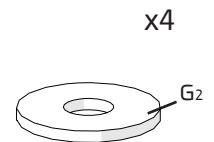
Spacer 21.3x2
st.37 L=42



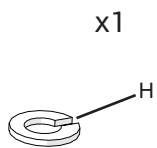
Pocket washer 8



Washer 8x20



Washer 8x24

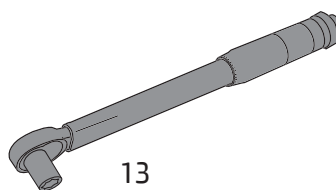


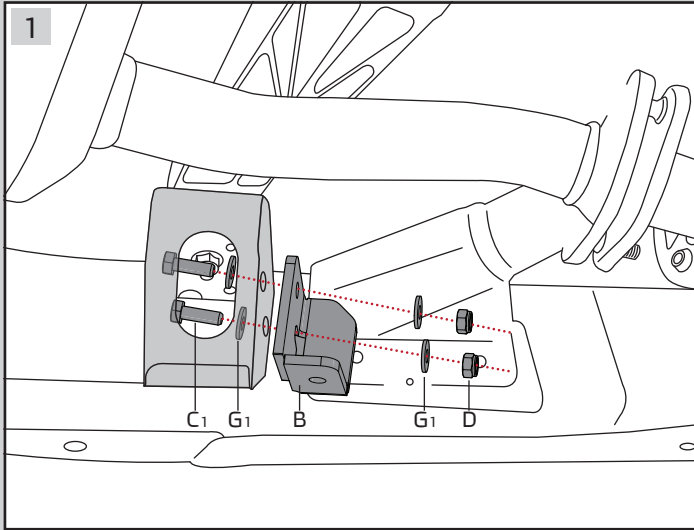
Spring washer 8

Maximum Tightening Torques

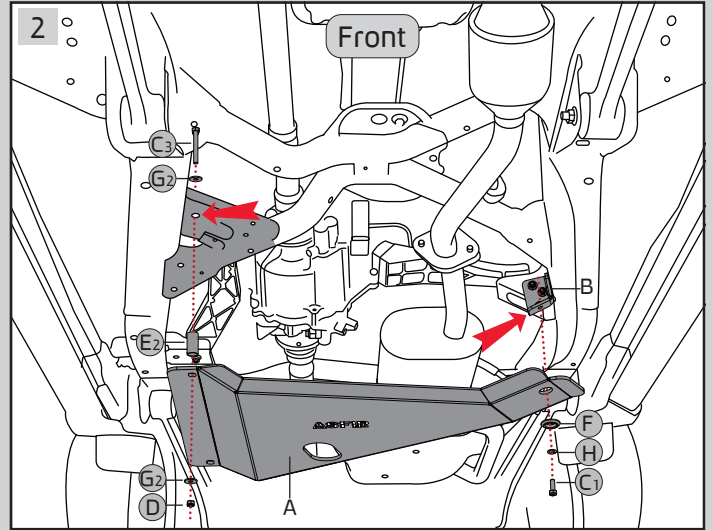
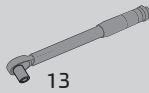
M8 (8.8)

25 Nm

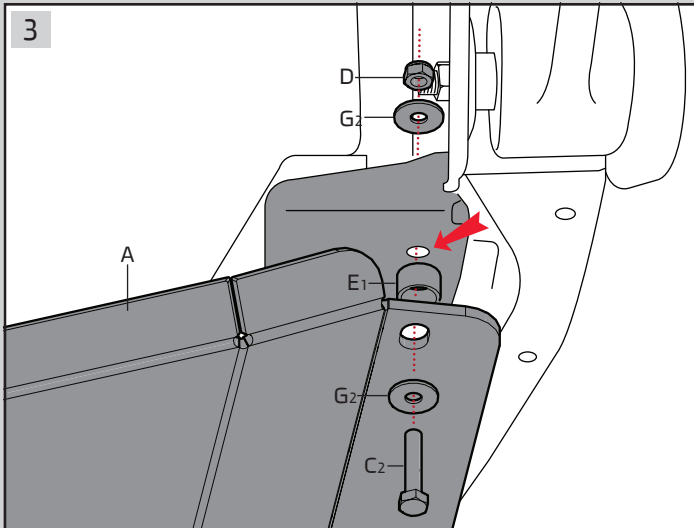
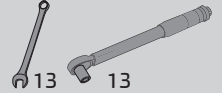




1
Connect left bracket B to the vehicle chassis and tighten the bolts



2
Connect skid plate A on the front as shown above to the arrow marked holes



3
Connect skid plate A on the rear as shown above to the arrow marked hole

